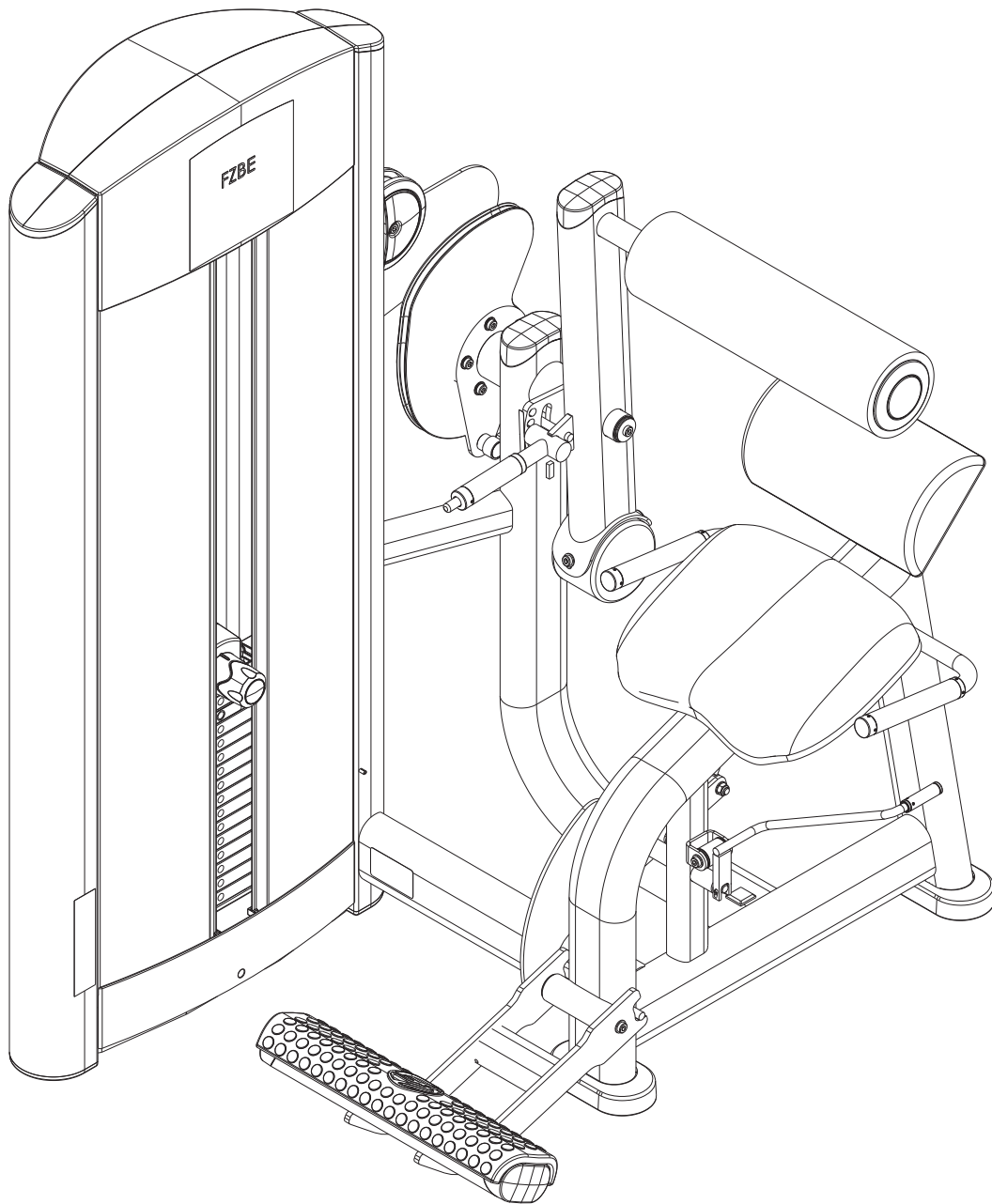




SIGNATURE SERIES
FZBE BACK EXTENSION

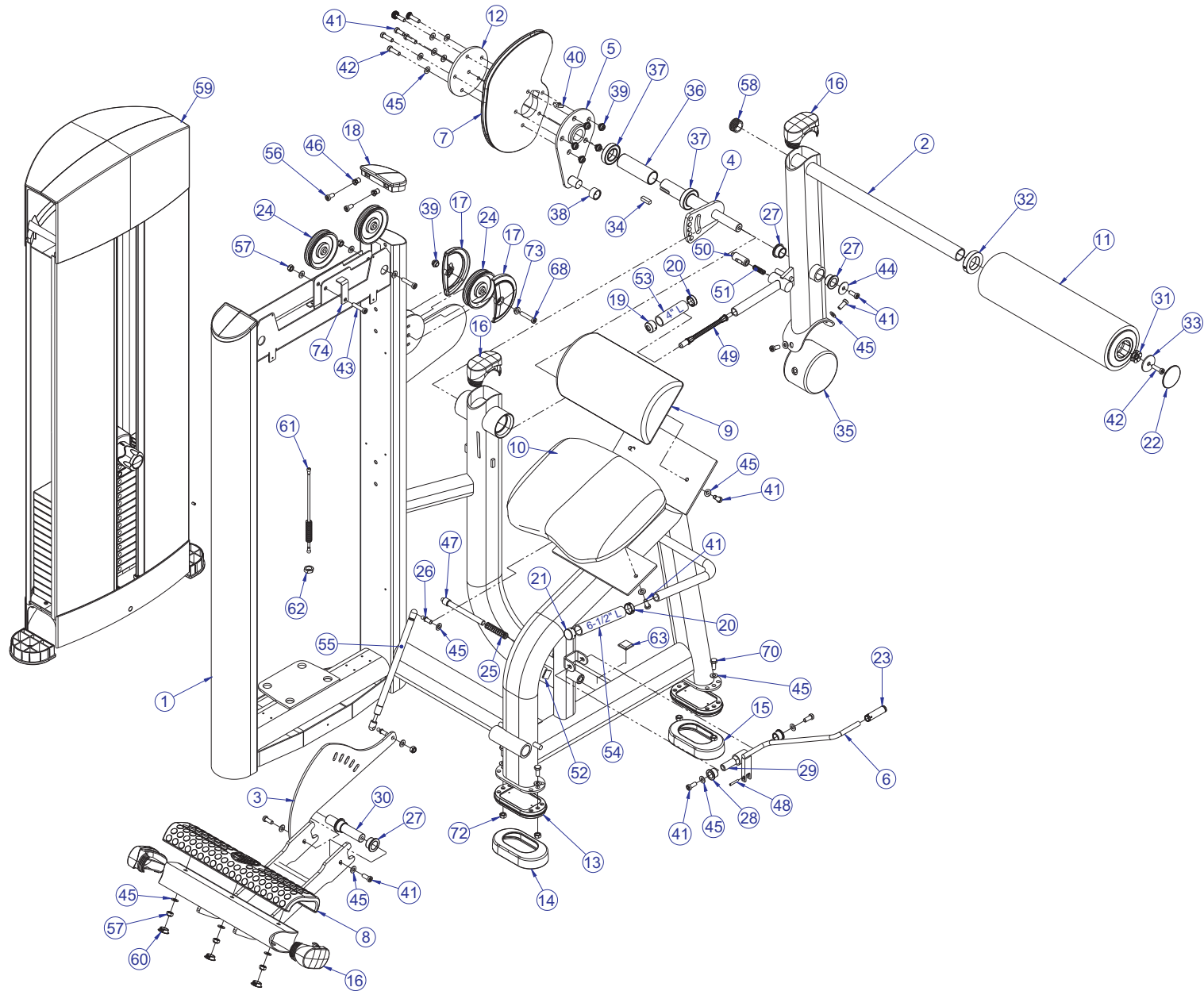


Customer Support Services
PARTS MANUAL

FZBE BACK EXTENSION CONTENTS

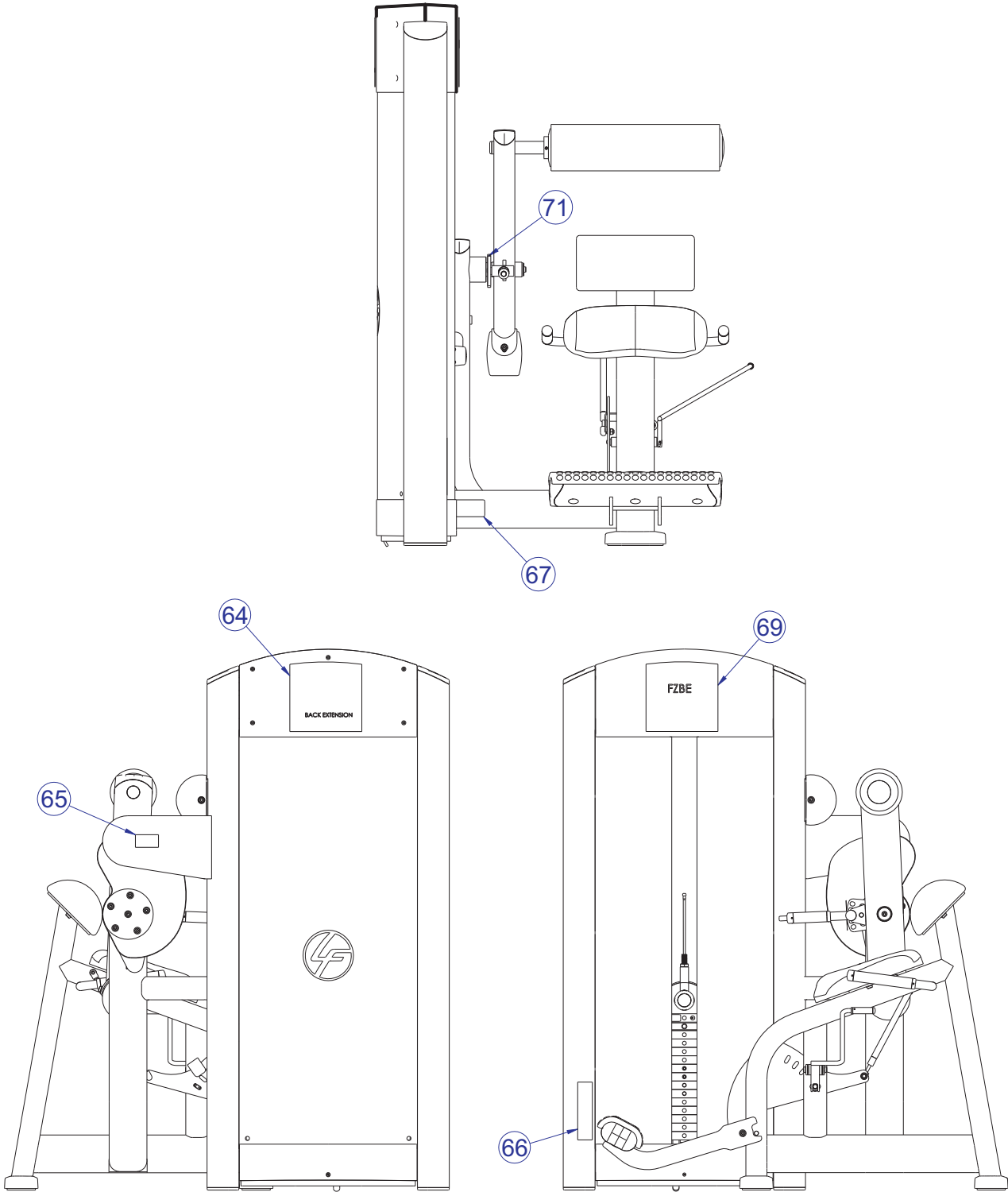
	PAGE
COMPONENT ASSEMBLY	3
COMPONENT ASSEMBLY II	4
COMPONENT ASSEMBLY LEGEND	5
MID-14 TOWER ASSEMBLY	6
PLASTIC TOWER ASSEMBLY	7
MID-14 WEIGHT STACK ASSEMBLY	8
5 LB. INCREMENT WEIGHT ASSEMBLY	9
10 LB. INCREMENT WEIGHT ASSEMBLY	10
15 LB. INCREMENT WEIGHT ASSEMBLY	11
HEAD PLATE ASSEMBLY	12
HEAD PLATE ASSEMBLY LEGEND	13
IMAGE	14

FZBE BACK EXTENSION COMPONENT ASSEMBLY



SEE PAGE 5 FOR LEGEND

FZBE BACK EXTENSION COMPONENT ASSEMBLY II

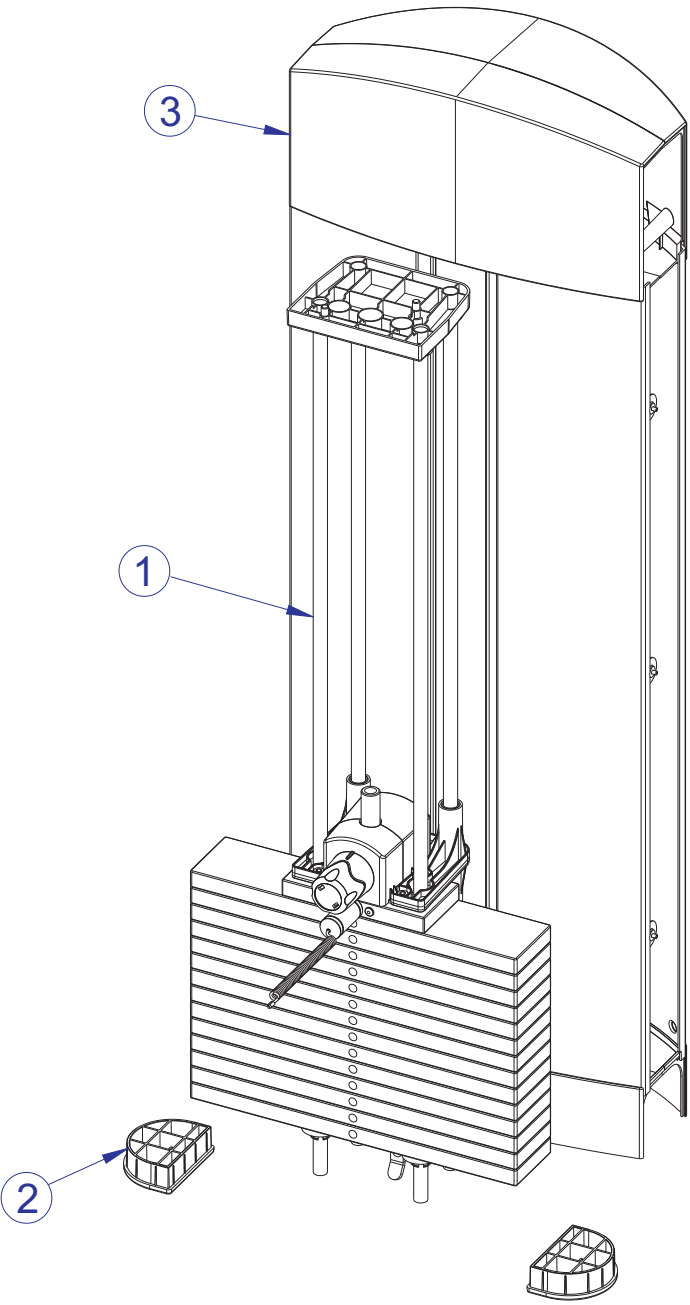


SEE PAGE 5 FOR LEGEND

FZBE BACK EXTENSION COMPONENT ASSEMBLY LEGEND

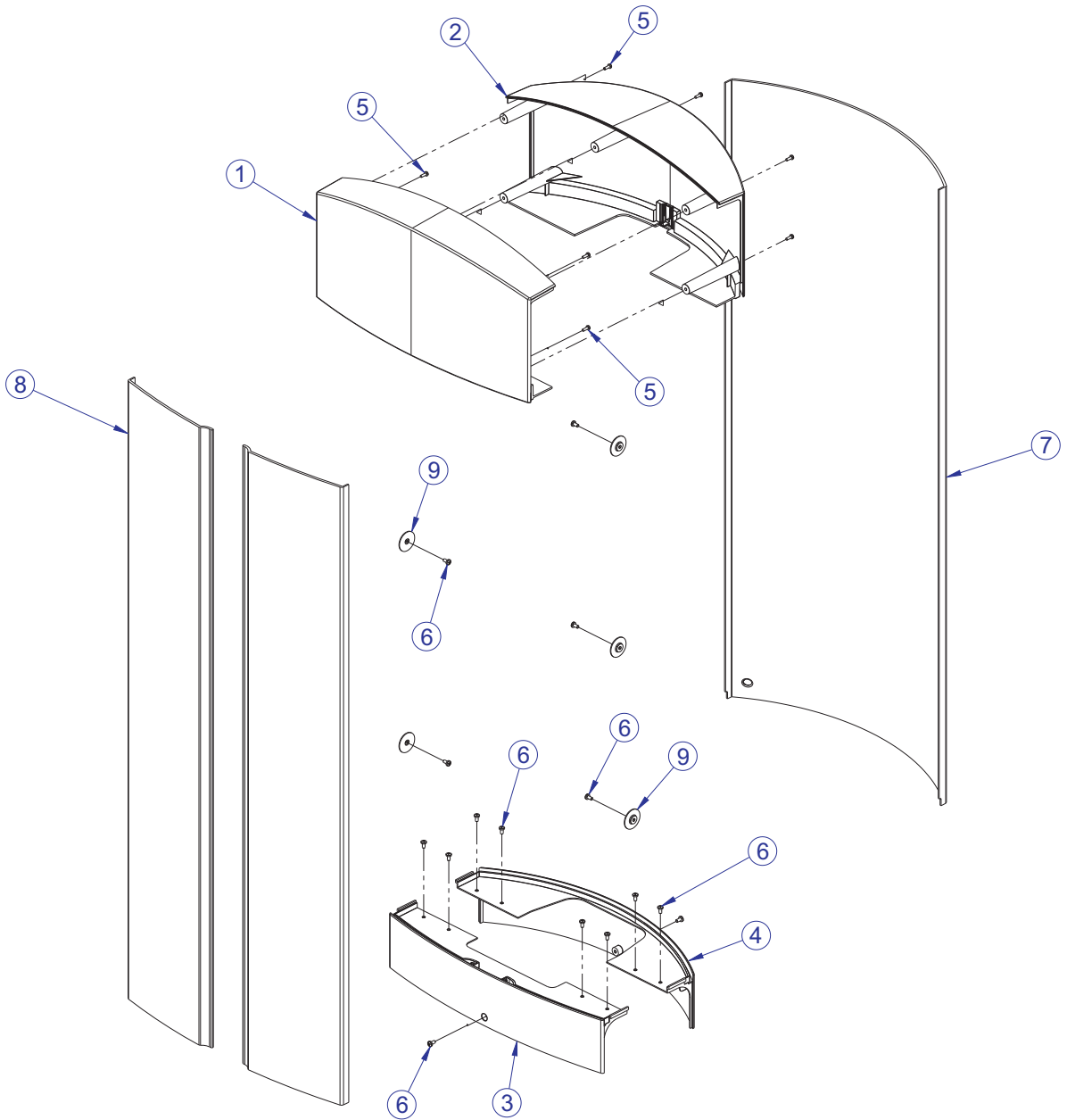
ITEM NO.	QTY.	PART NO.	DESCRIPTION	ITEM NO.	QTY.	PART NO.	DESCRIPTION
1	1	7597601	WLDMT, FZBE FRAME	38	1	7690101	BUMPER, SLEEVE - 1 INCH DIA
2	1	8029101	WLDMT, FZBE WORK ARM	39	6	7335401	NUT, M10 X 1.5 SOCKET HEAD
3	1	7598901	WLDMT, FZBE FOOT BAR	40	1	7342201	PLATE, CABLE END
4	1	7774801	WLDMT, FZSLC/BE ADJ START	41	12	3236202	SCREW, M10 X1.5 25MM
5	1	7599801	WLDMT, FZBE CAM STOP	42	6	3236204	SCREW, M10 X1.5 35MM
6	1	7614095	WLDMT, HANDLE PIVOT SHDW GREY	43	2	3236206	SCREW, M10 X1.5 45MM
7	1	7523501	CAM, FZBE	44	1	3236701	WASHER, FENDER 3/8" IDX1.5"OD SS
8	1	7523701	FOOTPLATE, OVERMOLDED	45	28	3236601	WASHER, 3/8 SAE SS
9	1	76264XX	PAD, LUMBAR, NO BACKER	46	4	3238601	M10X1.5 THREADED INSERT (HEX)
10	1	72972XX	PAD, LARGE CHAIR	47	1	7767101	PIN, PULL X 6.59
11	1	73928XX	ASSY, ROLLER PAD - LONG	48	1	3110011	ROLL PIN, 3/16 X 1-1/4
12	1	7329101	PLATE, FZ, CAM COVER	49	1	7780101	ROD, PUSH PIN
13	2	7334001	FOOT, 2.50 X 4.49 FLOV	50	1	8032401	PIN, PUSH
14	1	7340201	COVER, FOOT - STRAIGHT	51	1	8024501	SPRING, 1/2 OD X 1-1/2
15	1	7419701	COVER, FOOT 10 DEG	52	1	6140701	GLIDE 1 X 1
16	4	7333901	CAP, LARGE FLOV- END	53	1	3235801	GRIP, 1.25" OD X 4"
17	2	8094101	COVER, PULLEY-BOLTED PARTIAL	54	2	3235801	GRIP, 1.25" OD X 6-1/2"
18	2	7326201	CAP, D-TUBE - TOP	55	1	3235701	SPRING, GAS 150N
19	1	7663001	CAP, GRIP W/HOLE 1.25 OD	56	4	3236201	SCREW, M10 X1.5 20MM
20	3	7662801	RING, GRIP 1.25 OD	57	6	3236801	NUT, M10 HEX NYLOCK SS
21	2	7662900	CAP, GRIP	58	1	3119306	CAP, END 1.50 DIA RD 8-12 GA
22	1	7308701	CAP, BEARING HOUSING	59	1	7420401	ASSY, MID TOWER-14
23	1	7681901	HANDLE, REMOTE	60	3	3237403	PLUG, 1" HOLE
24	3	3237801	PULLEY, 4.5" OD	61	1	7423718	CABLE, FZBE 83-1/2
25	1	7748701	SPRING, PULL PIN - STRONG	62	1	3236902	NUT, M16 X 2 HEX JAM SS
26	2	7414301	STUD, M10 BALL END M10 X 1.5	63	1	3116001	BUMPER, RUBBER 1-1/4 SQ
27	4	3104903	1.00" ID 1.25" OD BRONZ BUSHING	64	1	7648101	LABEL, FZAB PLACARD
28	2	3104901	.75" ID 1.00" OD BRONZE BUSHING	65	1	7422003	LABEL, MOVING PARTS
29	1	7324802	SHAFT, TAPPED 0.75 DIA X 1.800	66	1	7422004	LABEL, 2" ASTM WARN
30	1	7324902	SHAFT, TAPPED 1 DIA X 5.330	67	1	7571301	LABEL, SERIAL NUMBER
31	1	7347301	NUT, SPIDER M10 X 1.5	68	1	3236207	SCREW, M10 X1.5 50MM
32	1	7357901	SHAFT COLLAR, 1-1/2" ID ALUM	69	1	7648001	LABEL, FZBE PLACARD
33	1	7322301	PLATE, 1.97 OD X .44 ID 10GA	70	4	3251202	SCREW, M10X1.5X25MM HEX ST ZN
34	1	7511601	KEY, .375 SQUARE X 1.25	71	1	7777901	LABEL, 1-5 STRAIGHT
35	1	7801901	COUNTER WEIGHT, SMALL - COATED	72	4	3254703	NUT, M10 X 1.5 HEX ZINC
36	1	7511504	SPACER, FZ/PS INTERNAL 4.845	73	1	7630101	RETAINER, CM/MJ, PULLEY
37	2	3243201	BEARING, 6007 BALL	74	1	6757701	CLIP, CABLE 2-7/8 X 1 X 1

FZBE BACK EXTENSION MID-14 TOWER ASSEMBLY - 7420401



ITEM NO.	QTY.	PART NO.	DESCRIPTION
1	1	7420101	ASSY, WEIGHT STACK MID-14
2	2	7326301	CAP, D-TUBE-BTM
3	1	7419801	ASSY, TOWER PLASTICS-MID

FZBE BACK EXTENSION PLASTIC TOWER ASSEMBLY - 7419801

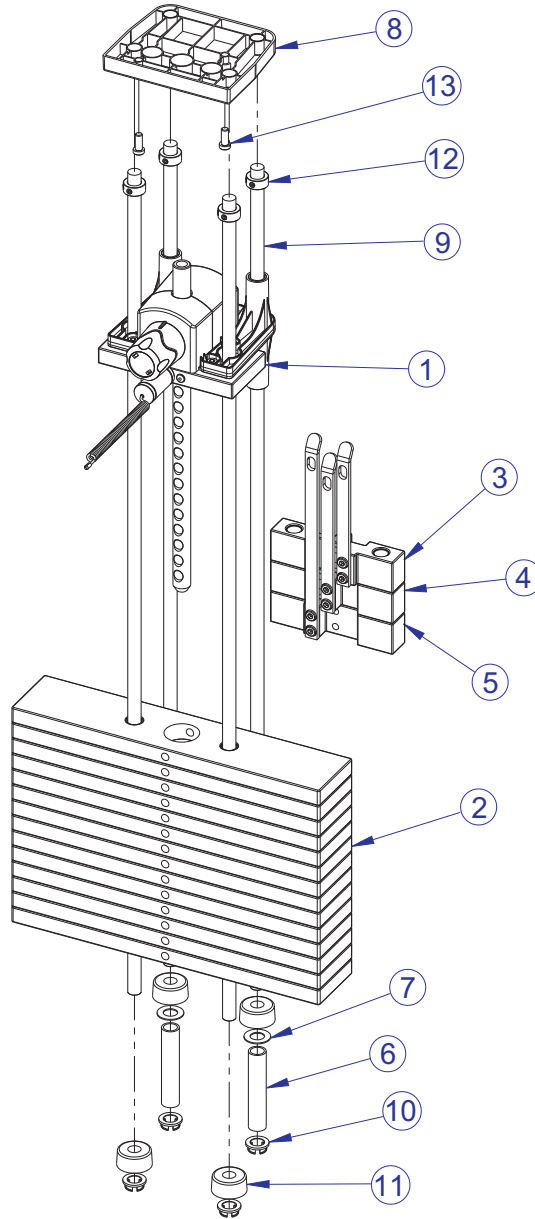


ITEM NO.	QTY.	PART NO.	DESCRIPTION
1	1	7318601	COVER, TOWER- TOP FRONT
2	1	7318701	COVER, TOWER- TOP REAR
3	1	7318801	COVER, TOWER- BOTTOM FRONT
4	1	7318901	COVER, TOWER- BOTTOM REAR
5	9	3236501	M4 X 0.7 PHL PAN MS ST ZN
6	16	3239101	SCREW, M5X10 PHL PAN TT ST
7	1	7765701	SHROUD, TOWER- REAR SHORT
8	2	7765601	SHROUD, TOWER- FRT SHORT RH
9	6	7583501	RETAINER, FZ SHROUD

FZBE BACK EXTENSION MID-14 WEIGHT STACK ASSEMBLY - 7420101

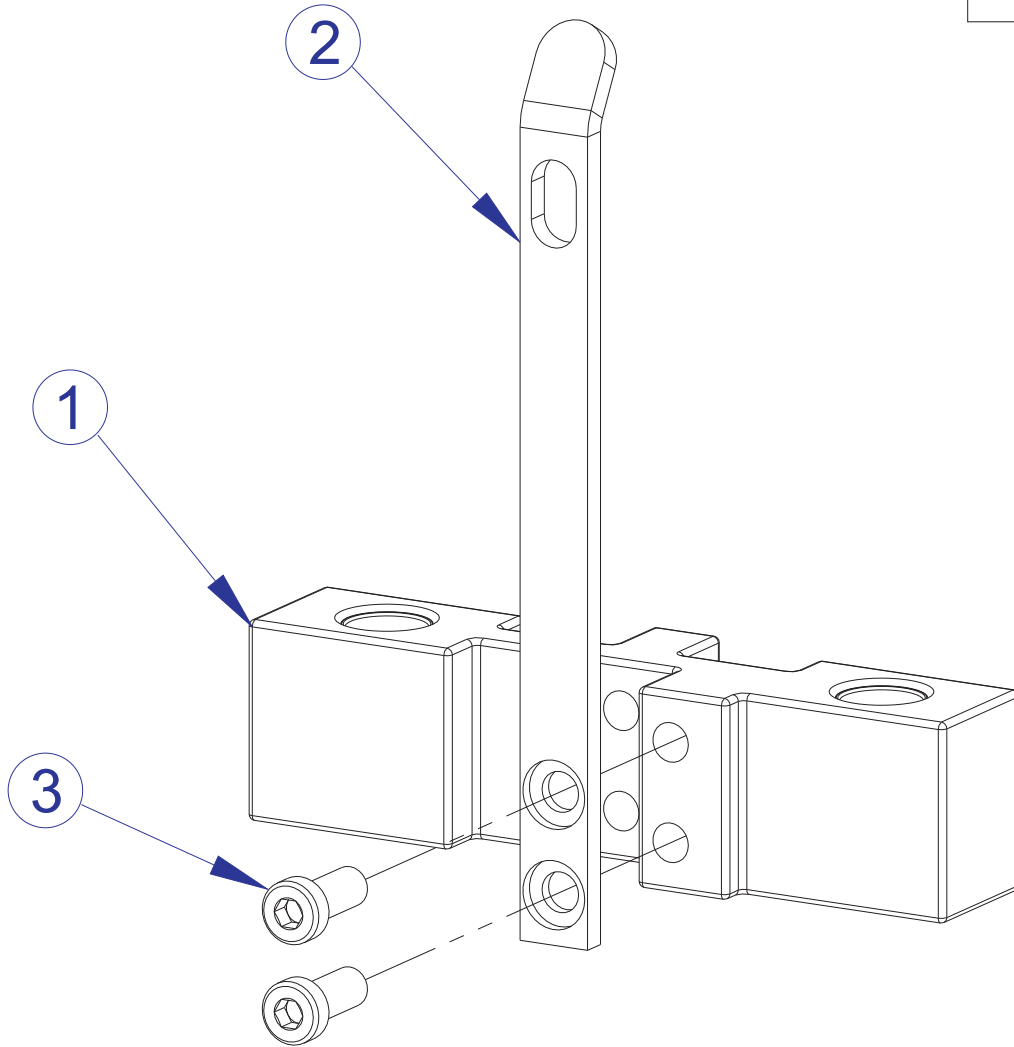
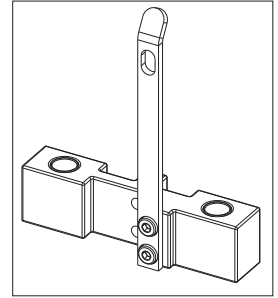
WEIGHT STACK LABELS

7927201	LABEL, 390 LB STACK
7927301	LABEL, 195 KG STACK



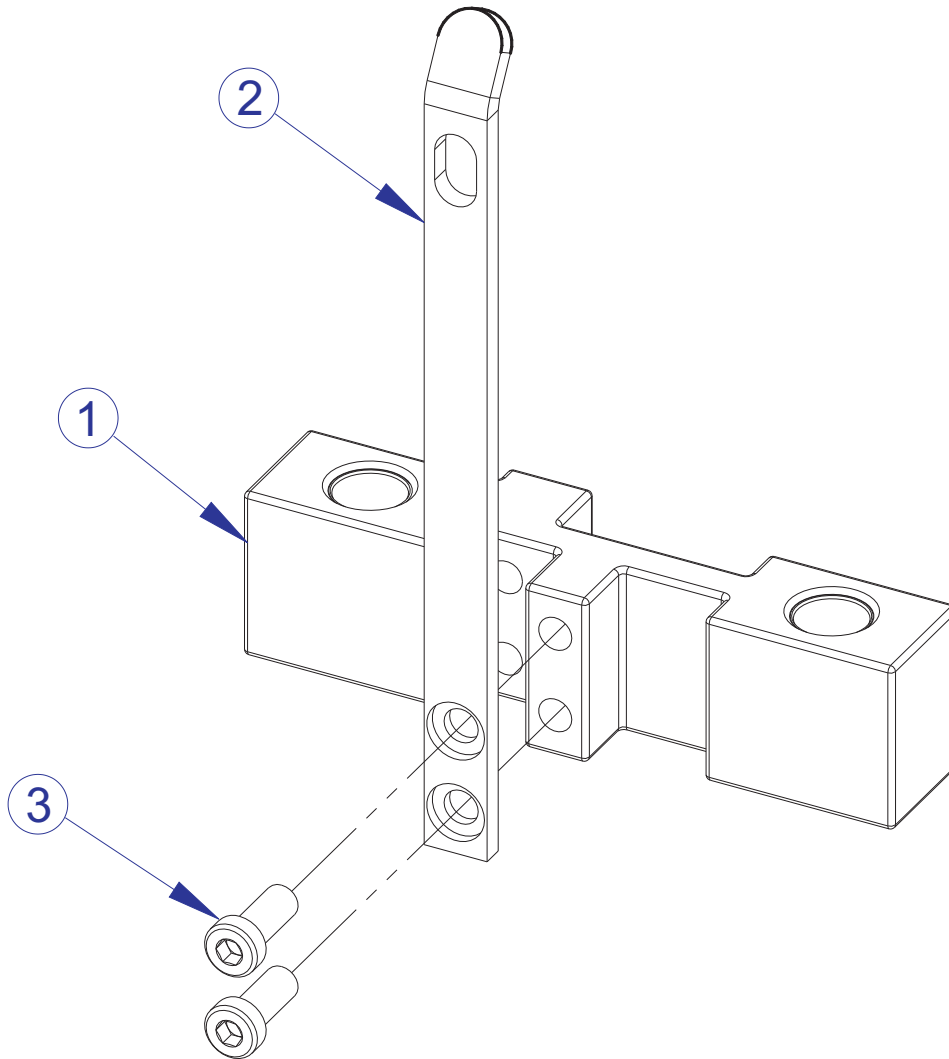
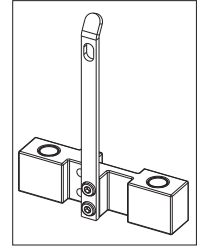
ITEM NO.	QTY.	PART NO.	DESCRIPTION
1	1	7350701	ASSY, HEAD PLATE (14)
2	14	7328401	WEIGHT PLATE, 20 LB
3	1	7327601	ASSY, INCREMENT WT-5LB
4	1	7327701	ASSY, INCREMENT WT-10LB
5	1	7327801	ASSY, INCREMENT WT-15LB
6	2	7328701	SPACER, INC WT STACK 14 PLT
7	2	7351001	SPACER, INC WT STACK
8	1	7621101	RETAINER, GUIDE ROD-TOP
9	4	7328602	GUIDE ROD, .75 OD SOLID X 53.50
10	4	7337901	BUSHING, GUIDE ROD
11	4	7352101	CUSHION, WEIGHT STACK
12	4	3103301	SHAFT COLLAR, 3/4" ID ZINC
13	2	3236202	M10 X 1.5 X 25 HXS SOC CS SS

FZBE BACK EXTENSION 5 LB. INCREMENT WEIGHT ASSEMBLY - 7327601



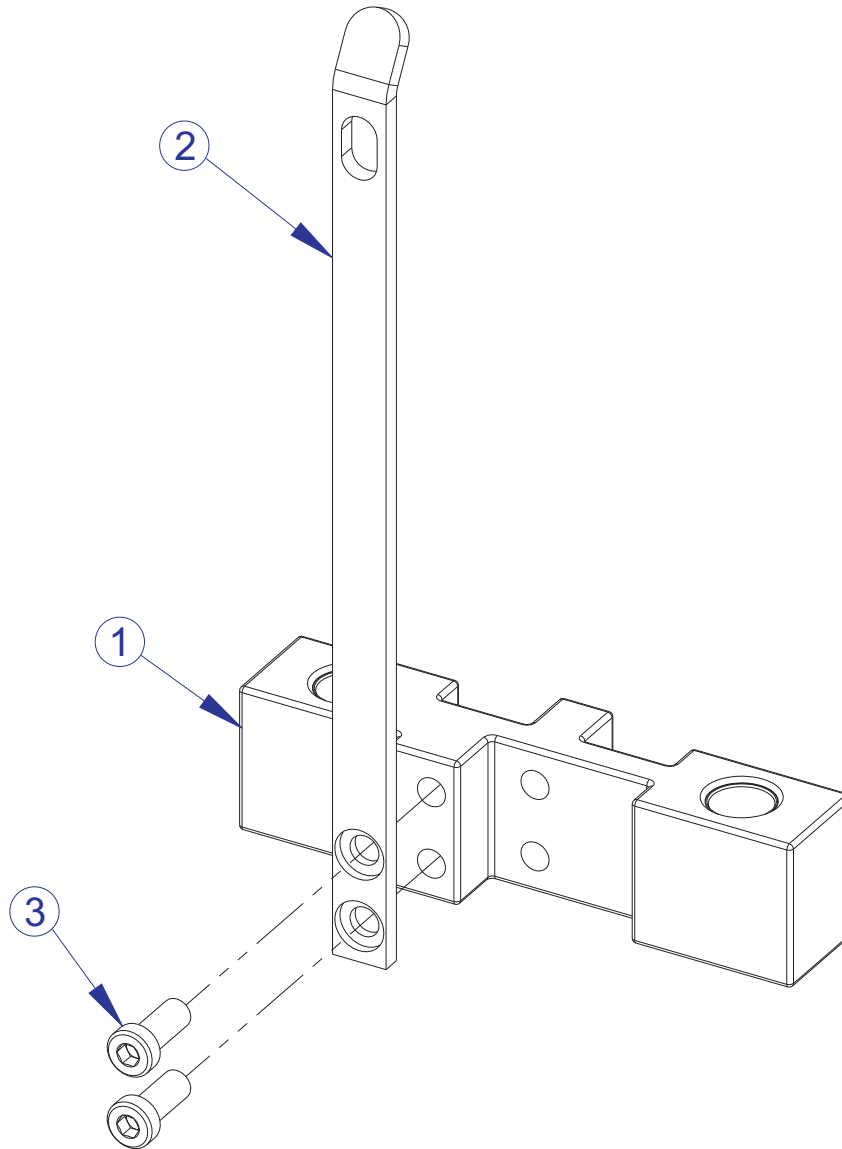
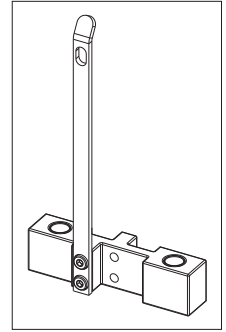
ITEM NO.	QTY.	PART NO.	DESCRIPTION
1	1	7968501	ASSY, FZ INC WEIGHT 5LB
2	1	7328001	BRKT, INCREMENT WT - 5 LB
3	2	3236202	SCREW, M10 X1.5 25MM

FZBE BACK EXTENSION 10 LB. INCREMENT WEIGHT ASSEMBLY - 7327701



ITEM NO.	QTY.	PART NO.	DESCRIPTION
1	1	7968501	ASSY, FZ INC WEIGHT 5LB
2	1	7328101	BRKT, INCREMENT WT - 10 LB
3	2	3236202	SCREW, M10 X1.5 25MM

FZBE BACK EXTENSION 15 LB. INCREMENT WEIGHT ASSEMBLY - 7327801

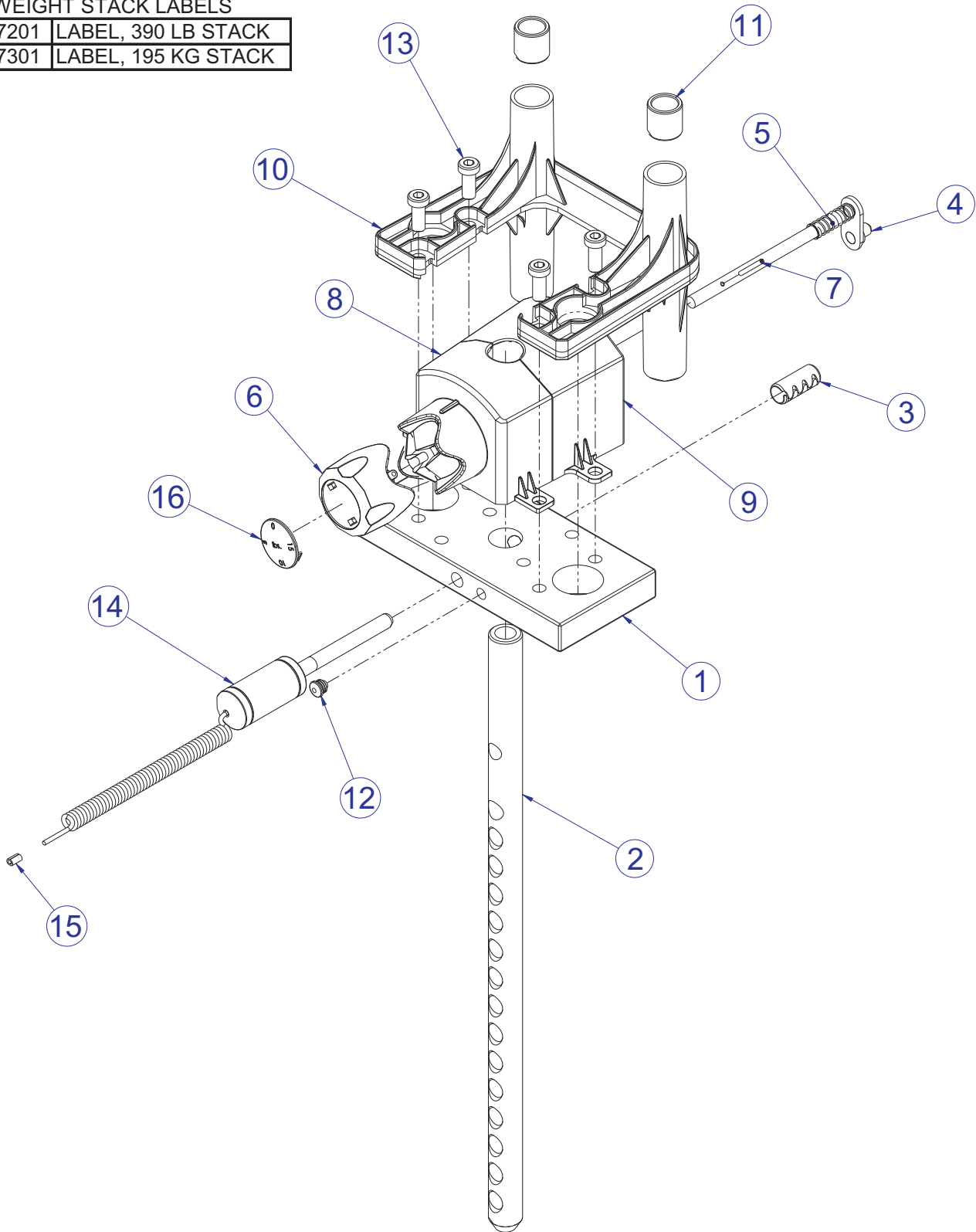


ITEM NO.	QTY.	PART NO.	DESCRIPTION
1	1	7968501	ASSY, FZ INC WEIGHT 5LB
2	1	7328201	BRKT, INCREMENT WT - 15 LB
3	2	3236202	SCREW, M10 X1.5 25MM

FZBE BACK EXTENSION HEAD PLATE ASSEMBLY - 7350701

WEIGHT STACK LABELS

7927201	LABEL, 390 LB STACK
7927301	LABEL, 195 KG STACK



SEE PAGE 13 FOR LEGEND

FZBE BACK EXTENSION HEAD PLATE ASSEMBLY LEGEND

ITEM NO.	QTY.	PART NO.	DESCRIPTION
1	1	7326701	HEAD PLATE
2	1	7347801	STEM, 9 PLATE
3	1	3236001	BUSHING, SPRING PIN
4	1	7327201	WLDMT, INCREMENT WT PIN
5	1	8024501	SPRING, 1/2 OD X 1-1/2
6	1	7326101	KNOB, INC WT SELECTOR
7	1	3110008	ROLL PIN, 1/8 X 1-1/4
8	1	7326401	HOUSING, SELECTOR - FRONT
9	1	7326501	HOUSING, SELECTOR - REAR
10	1	7362101	STABILIZER, HEAD PLATE
11	4	7459601	BUSHING, HEAD PLT STABILIZER
12	1	7356501	PLUG, LANYARD ATTACHMENT
13	4	3236202	SCREW, M10 X1.5 25MM
14	1	7338101	ASSY, WT STACK SELECTOR PIN
15	1	7523601	CRIMP, CABLE
16	1	7398601	CAP, SELECTOR KNOB, LBS
	OR		
	1	7398701	CAP, SELECTOR KNOB, KG

FZBE BACK EXTENSION IMAGE

